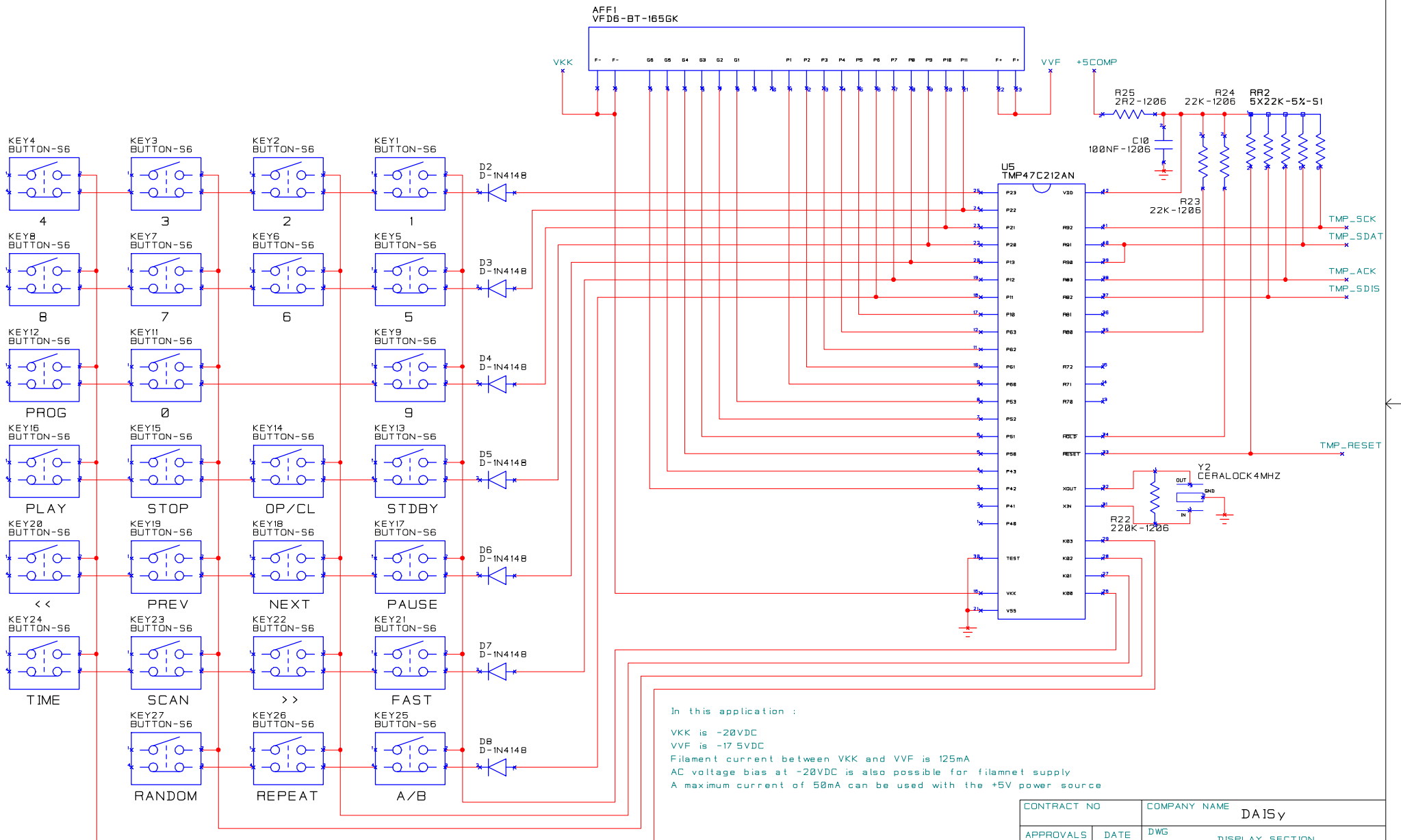


CONTRACT NO		COMPANY NAME DAISy			
APPROVALS	DATE	DWG USER MICROCONTROLLER			
DRAWN	050997	SIZE	FSCM NO.	DWG NO.	REV.
CHECKED		A3	SLUDSAB2		2.0
ISSUED		SCALE	1/1		SHEET 2/4



In this application :

- VKK is -20VDC
- VVF is -17.5VDC
- Filament current between VKK and VVF is 125mA
- AC voltage bias at -20VDC is also possible for filament supply
- A maximum current of 50mA can be used with the +5V power source

CONTRACT NO		COMPANY NAME DAISy		
APPROVALS	DATE	DWG DISPLAY SECTION		
DRAWN	050997	SIZE A3	FSCM NO. SLUDSAB2	DWG NO.
CHECKED				REV. 2.0
ISSUED		SCALE 1/1		SHEET 3/4