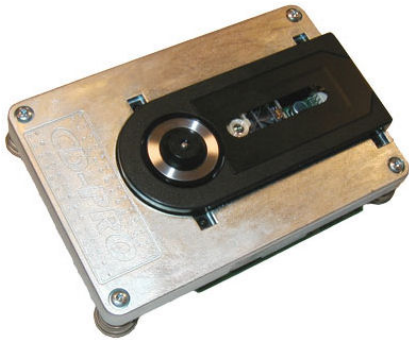


## CD-Pro2LF

High End Top Loading CD module



### Overview

The CD-Pro2LF is internationally recognized as the best top loading module available on the market for CD playback. The CD-Pro2LF (VAU1254/31LF) has become a reference for audio manufacturers thanks to an excellent playability and a very high reliability. The first version was released 13 years ago and the latest CD-Pro2LF version will be still produced for many years.

### Key features

- Robust metal design for industrial and professional applications
- Dedicated audio module
- Excellent reliability
- Low mechanical noise
- DSA Interface (high level protocol)
- Extremely good playability and disc acceptance
- Compatibility with protected discs
- Very fast track access time
- Customizable I<sup>2</sup>S output
- IEC958 Digital Output (DOBM)
- Vertical position possible
- RoHS compliant

### GyrFalcon Universal Evaluation Kit

The CD-Pro2LF can be used for test and development with the new GyrFalcon Universal Evaluation Kit.

### Available for mass production

*For more information, please contact us at:*

**DAISy** Digital Audio Industrial Supply

Professional Audio-Video Components

Phone : +33 2 51 85 95 00

Fax : +33 2 51 85 92 94

Email : [info@daisy-laser.com](mailto:info@daisy-laser.com)

Website : [www.daisy-laser.com](http://www.daisy-laser.com)

**Dimensions:** 132 mm x 88 mm x 34.45 mm

**Weight:** 418 gr.

### Specifications

**Heavy die-cast metal frame**

**Noise:** 33dB or less for playback, 50dB or less for search

**Power Supply:** +5V and +9V

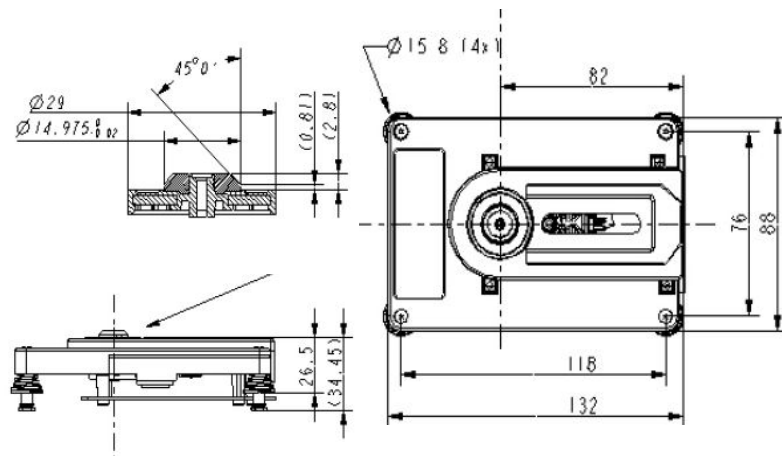
**Applicable disc formats:** CD, CD-R, CD-RW (finalized and non finalized discs)

**Supporting size discs:** 80/120 mm according to the Red Book specification (IEC 908)

**Rotational speed :** Optimized for single speed, prepared for double speed

**Backward compatible** with CD-Pro2M (VAU1254/31), CD-Pro2 (VAU1254/11), CD-Pro (VAU1252) and CDM12 industrial: same electrical connections, dimensions and communication interface.

**Interfaces:** I<sup>2</sup>S audio output, IEC 958 digital output, analog audio output, DSA interface, supply input, clock output, flash interface



### GyrFalcon Full Metal Loader

To meet the expectations of our customers, DAISy offers a new metal loader especially designed for the CD-Pro2LF. As a result, the best top loading module of the world will be available with a Full Metal Loader for front loading players.



**GyrFalcon** is the name of a project which will change the way to design audio/video players. It combines high quality modules and electronics with an open interface which provides many possibilities to the application: user interface, display panels, conversion section, customized power supply units, evaluation tools...